

UNIVE 3G-SDI Extender

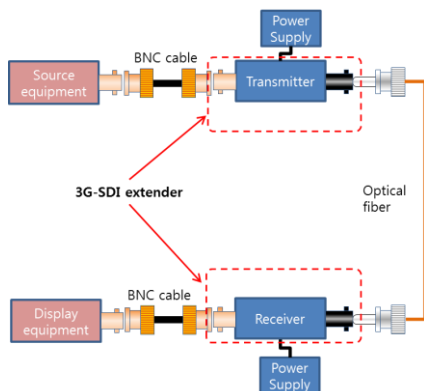
USM-3GFB/C
3G-SDI Optical Extender



Feature

- Fully integrated passive optical assembly technology.
- Supported data rate: 3G-SDI(2.970Gbps), HD-SDI(SMPTE-292M) and SD-SDI(SMPTE-259M) transmission is also available by option.
- Supports video pathological pattern transmission.
- Transmission length: up to 600m using 50 μ m OM3 multimode fiber at 3G-SDI Signal
- ST connector for optical in-out.

Block Diagram



Overview

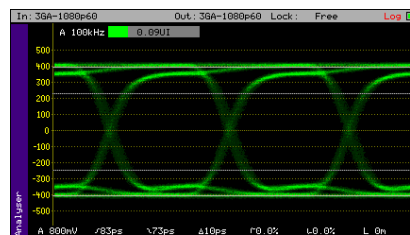
3G-SDI extender increases transmission length of 3G-SDI signaling using 1-Channel optical cable. Electrical-to-optical and optical-to-electrical conversion technology enables transmission length extending without any bulky cable and repeater. Transmission length is up to 600m for 3G-SDI.

Application

- Broadcast video applications
- Digital Video Records (DVR)
- Surveillance / CCTV cameras
- Digital video displays

Specifications

- Video format SD/HD/3G-SDI
- Voltage DC5V only
DC12V only
DC12V & AC24V
- Operating temperature -20° ~ 70°C



Pathological pattern(Receiver Output)

Product Dimension

